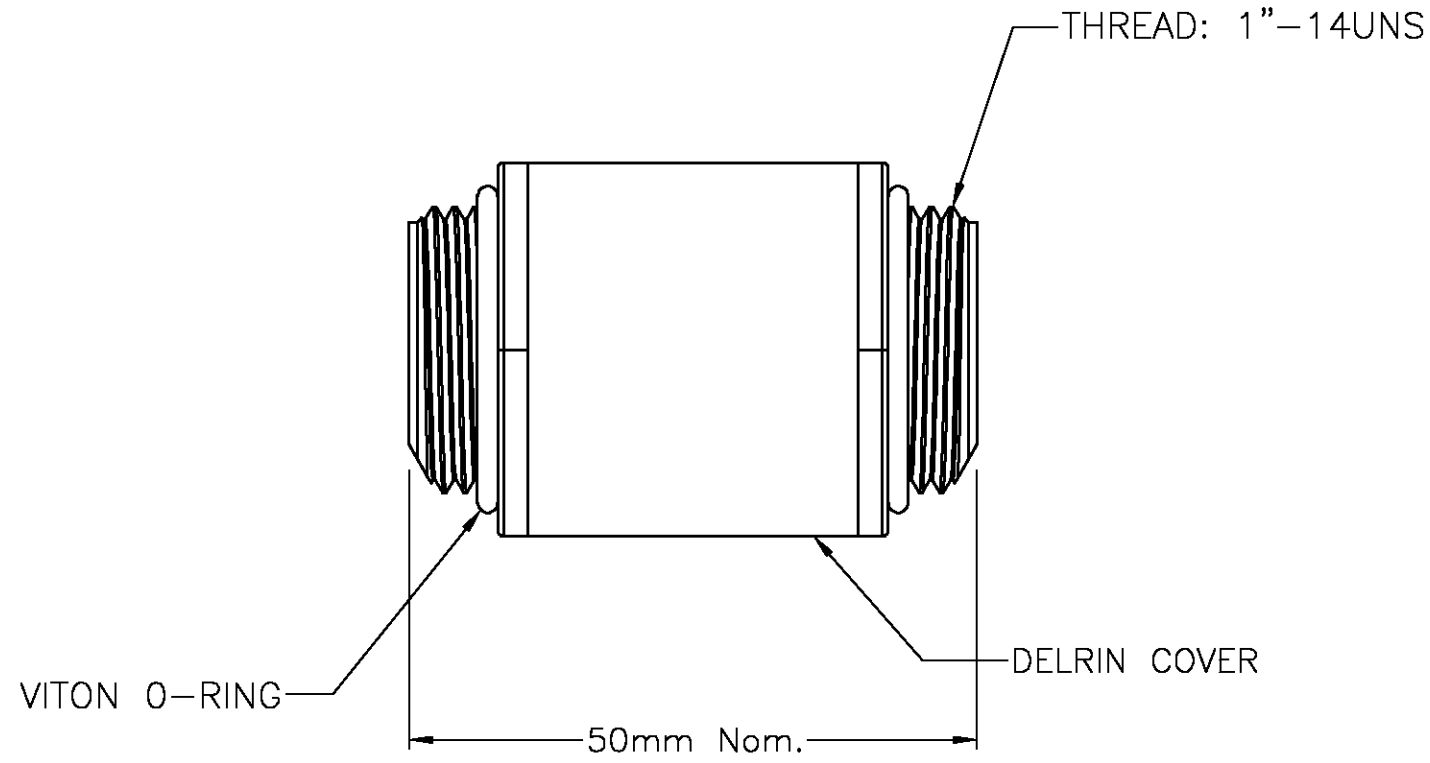
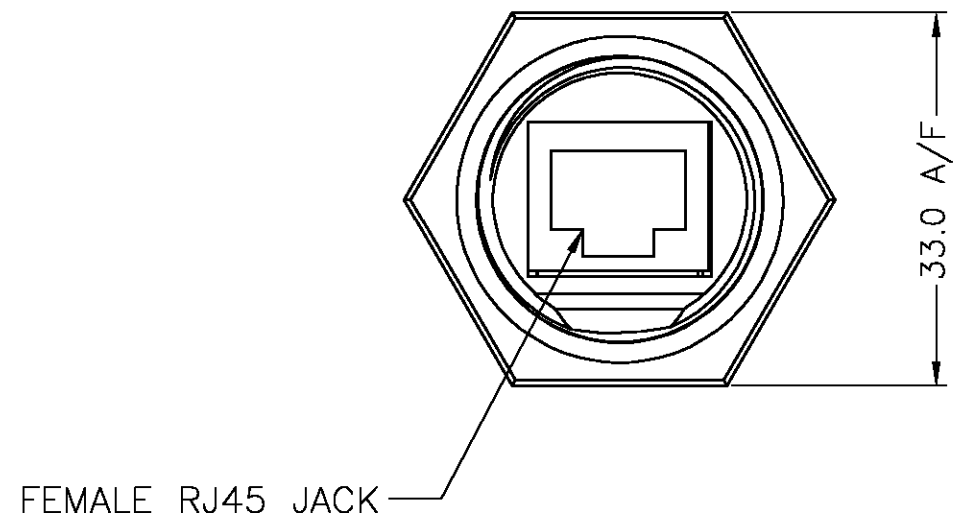


THIS DRAWING IS UNPUBLISHED. RELEASED FOR PUBLICATION
 © COPYRIGHT - BY TYCO ELECTRONICS CORPORATION. ALL RIGHTS RESERVED.

LOC	DIST	REVISIONS			
P	LTR	DESCRIPTION	DATE	DWN	APVD
FT	0	0	REVISED PER 0G3B-0154-03	4/8/03	SS HW



THIS DRAWING IS A CONTROLLED DOCUMENT.		DWN S SCHLEGEL 08APR2003	Tyco Electronics Corporation Harrisburg, PA 17105	
DIMENSIONS: MM		CHK H WAKEEM 4/8/03	NAME RJ-LNXX FEMALE TO FEMALE ADAPTOR	
		APVD H WAKEEM 4/8/03	PRODUCT SPEC -	
TOLERANCES UNLESS OTHERWISE SPECIFIED:		APPLICATION SPEC -	SIZE A3	RESTRICTED TO -
MATERIAL -		FINISH -	CAGE CODE 00779	DRAWING NO C-1546574
		WEIGHT -	SCALE NTS	SHEET 1 OF 1
		CUSTOMER DRAWING	REV 0	